



Sovitron Interior Pvt.Ltd.



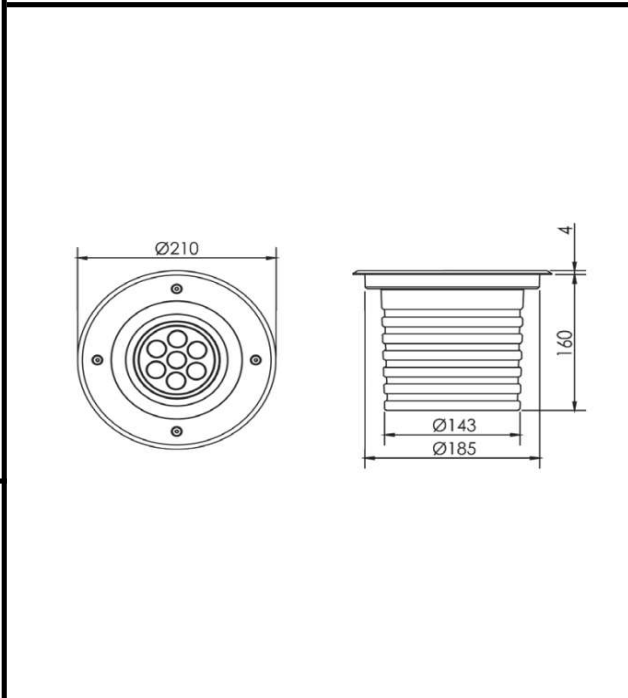
<b>Model Name</b>	URBANA-2110C/DL-OSL-2110CC-6
<b>Description</b>	Inground Light

Technical description	Image
-----------------------	-------

<b>Dimension</b>	Dia=210mm Cutout=143mm H=160mm
<b>Frame</b>	Aluminum die cast
<b>Color Tempertaure</b>	RGB
<b>Power</b>	14W
<b>Total Luminous Flux</b>	910 lm
<b>Efficacy</b>	65 lm/W
<b>IP rating</b>	67
<b>Color Rendering</b>	≥80
<b>Mounting</b>	Buried
<b>Beam angle</b>	5, 12.5, 20, 30, 45, 60, 15X30, 10X60 Degree
<b>Optics</b>	Tempered glass
<b>Dimming</b>	NON-Dimmable
<b>Operating Voltage</b>	220-240 VAC
<b>Standard Lifetime</b>	L70 minimum at 50,000 burning hours



**Dimension diagram**



**Remarks:-**

**Address: Plot #7 Saroorpur-Nangla Industrial Area,Ballabgarh-Sohna Road,Faridabad-121005**  
**Email: info@sovitron.com**